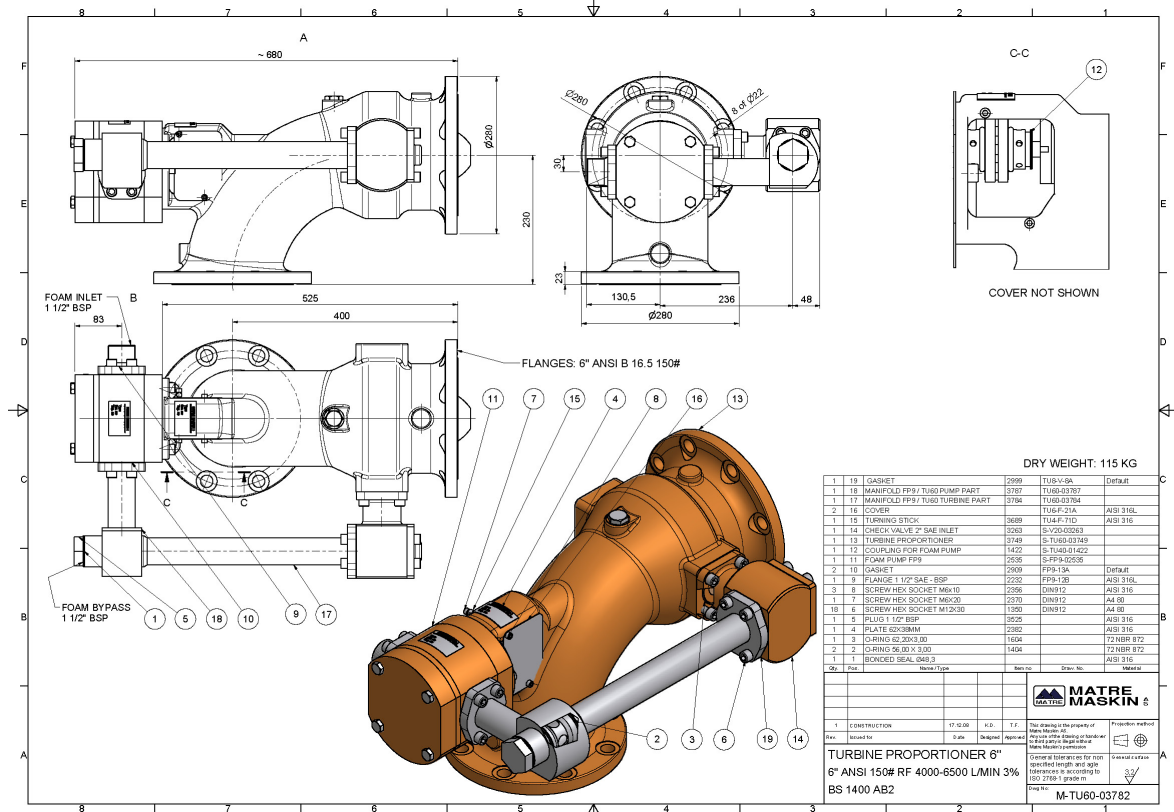


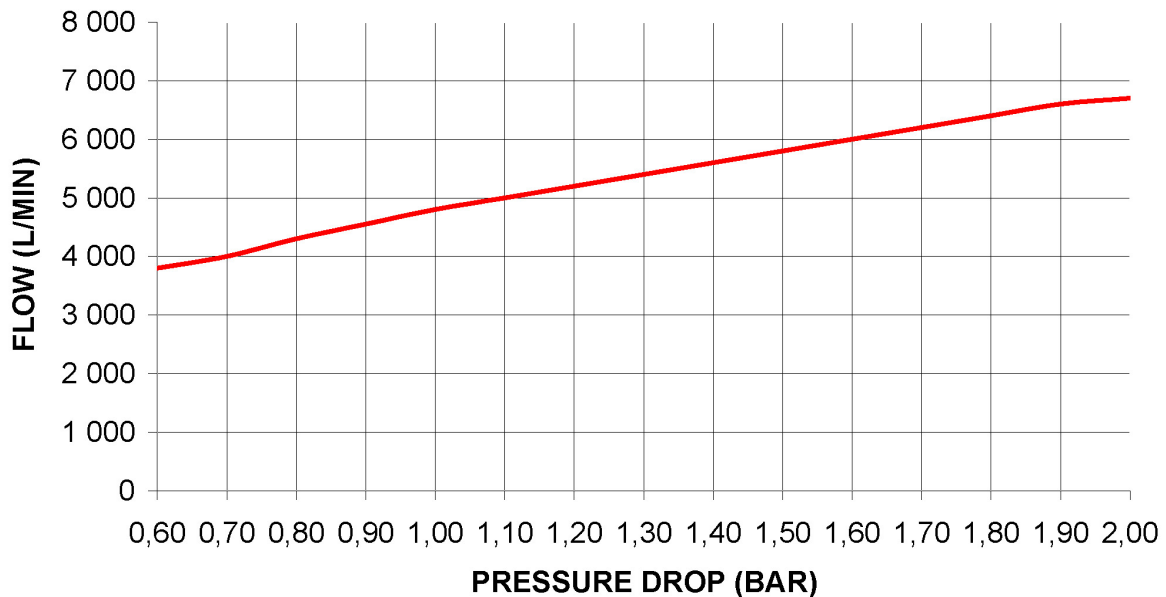


TURBINE PROPORTIONER M-TU60

STANDARD DESIGN
 3% INSERTION RATE



Capacity



**TURBINE PROPORTIONER M-TU60**

Characteristics	Standard	Options
Material	BS 1400 LG2 turbine BS 1400 AB2 housing and shaft BS 1400 LB2 pump	BS 1400 AB2 turbine AISI 316 turbine and housing Titanium Gr2 turbine and housing 6Mo turbine and housing
Interface for water supply	6" ANSI 16.5 150 lb	Flat face (M-TU40-01511)
Interface for foam supply	1 1/2" BSPP Male	1 1/2" NPT Male and upwards using adaptors for any thread or flange.
Design pressure	20 bar	
Test pressure	30 bar	
Flow range	M-TU60-03782 4000 – 6500 l/min	M-TU60-03783 flat face
Water pressure range	5-10 bar	
Foam concentrate inlet pressure at pump	0,85 bar abs minimum	
Insertion rate	3% - 3,9%	2,7% - 3,3%
Check valve in foam port	AISI 316	Available in all materials and with all interfaces mentioned above.
Activating / closing valve in foam port		A wide range of valves for opening and closing foam supply automatic or activated with or without positive feedback for valve position.
Weight	115 kg	
Installation requirements	Straight pipe minimum 3 x DN at inlet. Outlet piping to same specification as inlet, but no requirements for straight pipe length. Foam suction line must not be less than 2" inside diameter. No pipes fittings or parts with rough inside surface should be installed. Only full bore valves must be used. No strainer or other restrictions must be installed. Total pipe length should not exceed 3 meter, maximum lifting height is 2 meter. Only long radius pipe bend should be used and maximum 3 off.	